

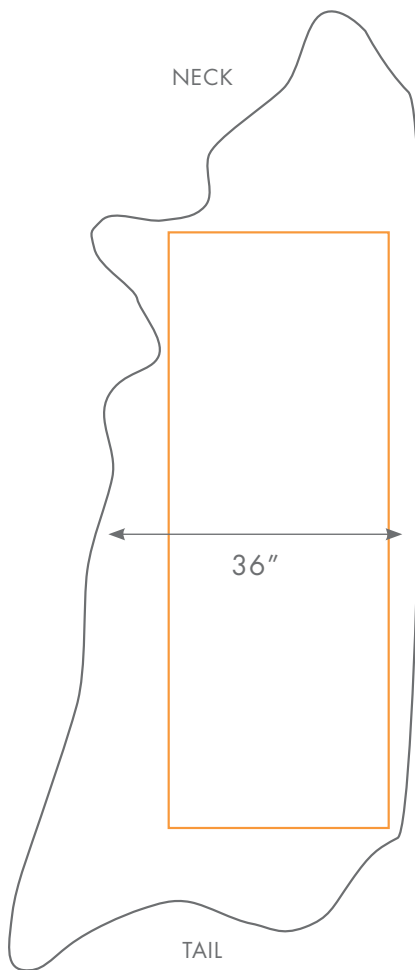
This diagram should be used as a guide when determining square footage requirements. Half hides are cut down the backbone in the middle of the hide, from neck to tail.

Average Useable Area
72"l x 52"w

Average Whole Hide Size
54 sq. ft.

Average Half Hide Size
27 sq. ft.

HALF HIDE



WHOLE HIDE

