

Alpine Tiles

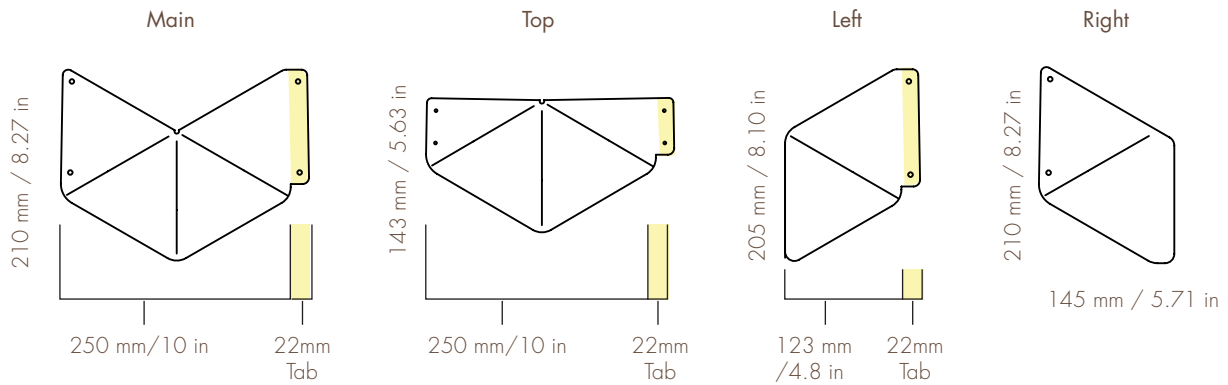
SPECIFICATIONS

Alpine Tiles can be made with any Garrett leather color. Decorative stitching is available.

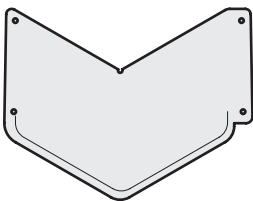
Alpine Tiles consist of Garrett leather adhered to a fire-rated PVC backer

Alpine Tile orders include pre-drilled boards and mounting pegs for easy installation. Simply attach the boards to the wall, then install the tiles using the pegs provided. Detailed installation instructions are included with each order.

*Use 250mm width per tile plus 22mm for the right hand tab (1 per wall)



Decorative Stitching



Sideview

