

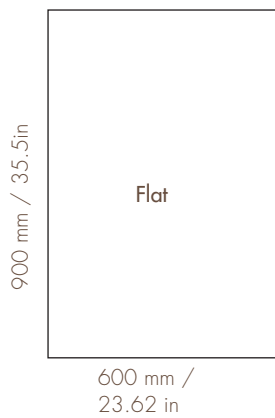
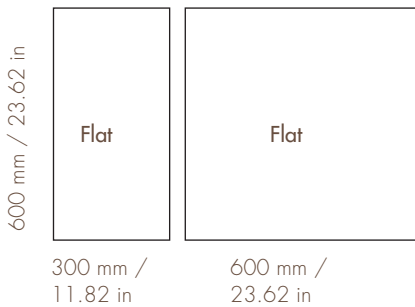
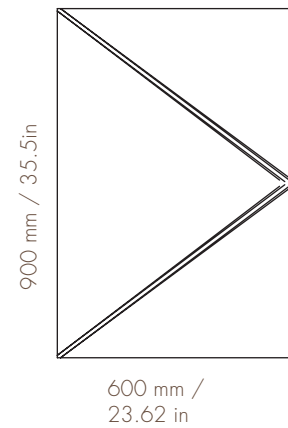
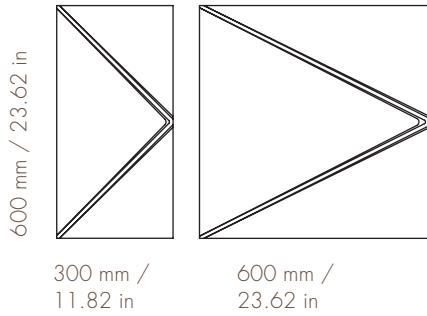
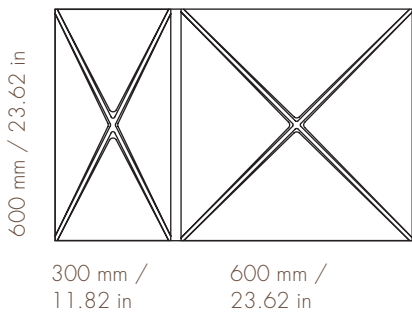
Cast Panels

SPECIFICATIONS

Cast Panels can be made with most Garrett leather color.

Cast Panels highlight beautiful designs on sturdy MDF substrate.

The Fast Mount system includes all of the components needed for easy installation. A plywood base for the wall is required. Female parts are installed to the back of the panels, which have pre-drilled holes. Tools are provided to easily mark where holes need to be drilled on the wall to attach the male pieces. Once attached, the panels simply clip to the wall. Detailed installation instructions are included with each order.



Side View

