

Pitched Panels

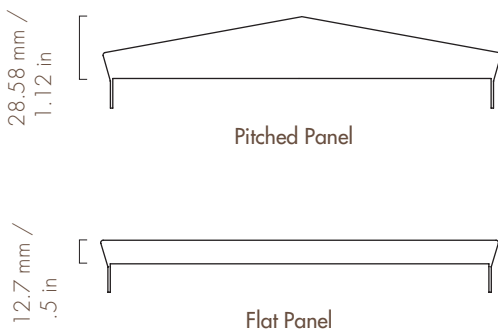
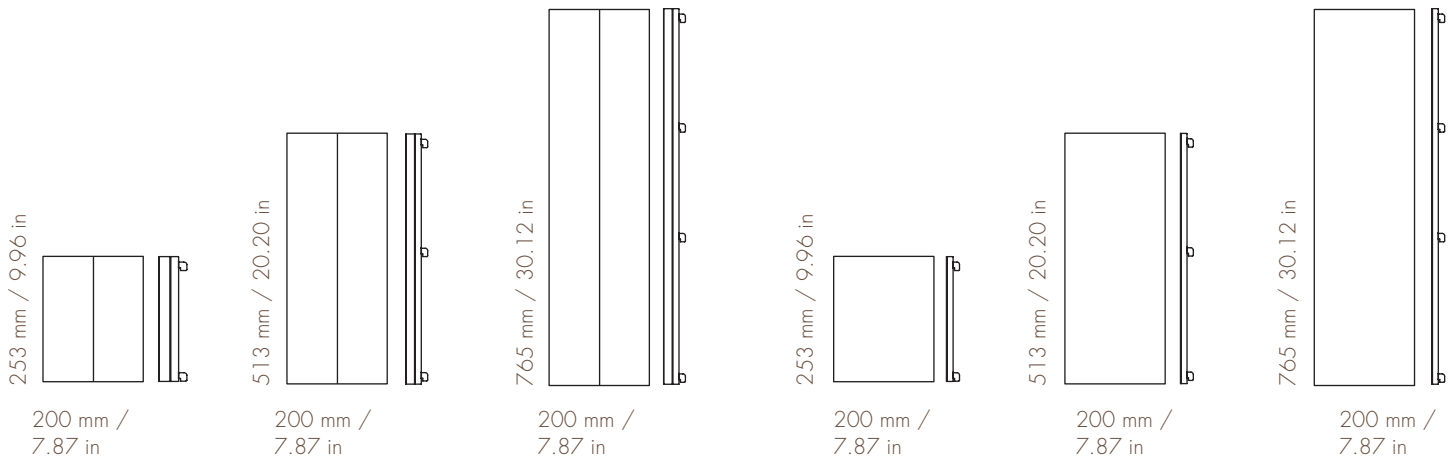
SPECIFICATIONS

Pitched Panels are made with a strong aluminum substrate wrapped in almost any Garrett color. Pitched Panels are lightweight and fireproof to meet industry flammability requirements.

Pitched Panels are installed using a vertical rail system. Simply secure the rails to the wall surface. The Pitched Panels easily hook into the rail system. Detailed installation instructions are included with each order.

Pitched Panels

Flat Panels



Side Views

